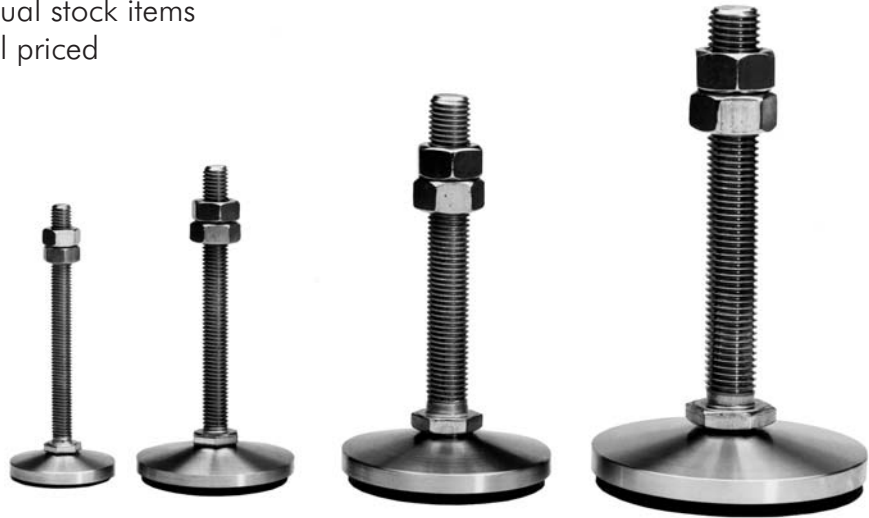
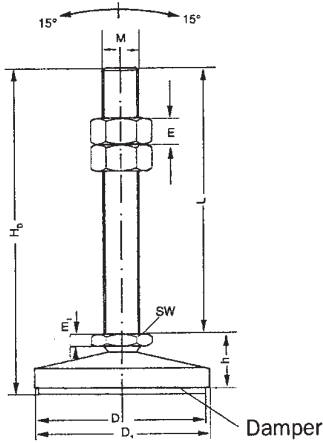


Stainless Steel Levelling Elements

Material: Foot: 1.4301 Stainless steel
 Damper: Perbunan, 70° Shore A
 Includes: 2 hex. Nuts DIN 934
 Most sizes are usual stock items
 Exceptionally well priced

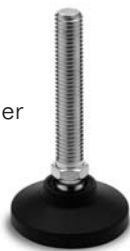


| Part No. | Thread | D | D ₁ | h | H _d | L | m | m ₁ | SW | Load N | Approx Weight kg. |
|------------|--------|----|----------------|----|----------------|-----|-----|----------------|----|--------|-------------------|
| MF 8.40 SS | M8 | 37 | 40 | 13 | 73 | 60 | 6.5 | 2.6 | 13 | 2000 | 0.08 |
| MF10.60 SS | M10 | 57 | 60 | 18 | 88 | 70 | 8 | 3.2 | 17 | 3000 | 0.18 |
| MF12.60 SS | M12 | 57 | 60 | 18 | 98 | 80 | 10 | 3.7 | 19 | 4000 | 0.20 |
| MF14.80 SS | M14 | 75 | 80 | 26 | 126 | 100 | 11 | 4.4 | 22 | 10000 | 0.42 |
| MF16.80 SS | M16 | 75 | 80 | 26 | 146 | 120 | 13 | 5.0 | 24 | 15000 | 0.52 |
| MF20.100SS | M20 | 95 | 100 | 30 | 180 | 150 | 16 | 6.5 | 30 | 20000 | 0.96 |
| MF24.100SS | M24 | 95 | 100 | 30 | 210 | 180 | 18 | 7.5 | 36 | 25000 | 1.28 |

All dimensions in mm
 All dimensions subject to change without notice

Other types of machine feet and components available:

Machine feet manufactured in special glass fibre reinforced black technopolymer base with matte finish, and zinc plated steel or stainless steel thread.
 M8 - M24
 15° Articulation



Plastic base, galvanized thread.
 Very inexpensive versions - ideal for large quantity orders.



Ground Mounting machine feet of the same material choices.
 M20 - M30
 2° / 8° / 15° Articulations



Square End Caps - to fit square shaped legs for maximum static load of 5000N.
 M10 - M20



Individual components - i.e. bases, threads & nuts.
 M8 - M24

Please contact T.E.A. for faxed data sheets and further information.